

Curva 45° CLAMP-CLAMP AISI 316

Normativa: CLAMP BS

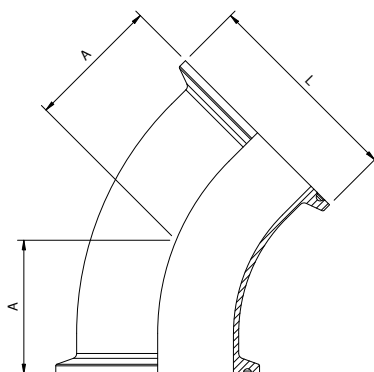


Fig. XC420.11

Codice	DN (inch)	L (mm)	A (mm)
XC420.11020.316	3/4"	25.4	24.6
XC420.11025.316	1"	50.4	28.5
XC420.11040.316	1" 1/2	50.4	36.5
XC420.11050.316	2"	64	44.5
XC420.11065.316	2" 1/2	77.4	52.3
XC420.11080.316	3"	90.9	60.3
XC420.11100.316	4"	118.8	76.2