

Curva 45° a saldare lucida AISI 316

Normativa: CLAMP BS

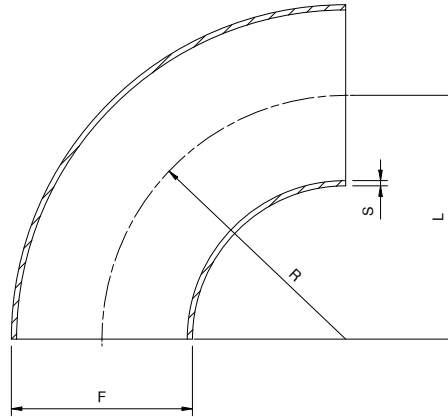
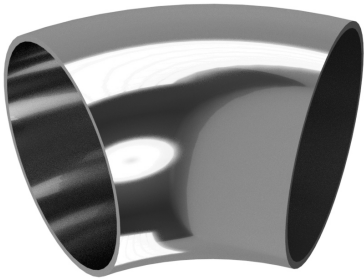


Fig. XC400.11

Codice	DN (inch)	F (mm)	R (mm)	S (mm)
XC400.11025.316	1"	25.4	38.1	1.65
XC400.11040.316	1" 1/2	38.1	57.2	1.65
XC400.11050.316	2"	50.8	76.2	1.65
XC400.11065.316	2" 1/2	63.5	95.3	1.65
XC400.11080.316	3"	76.2	114.3	1.65
XC400.11100.316	4"	101.6	152.4	2.10