

## Curva 90° CLAMP-CLAMP AISI 316

Normativa: CLAMP BS

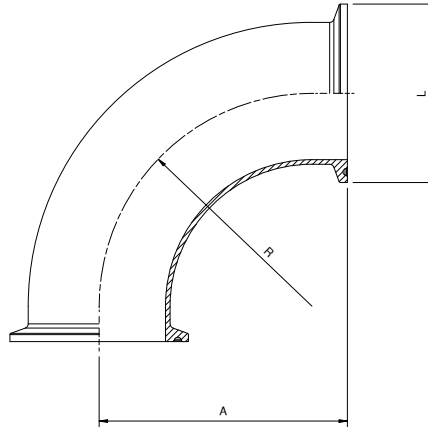
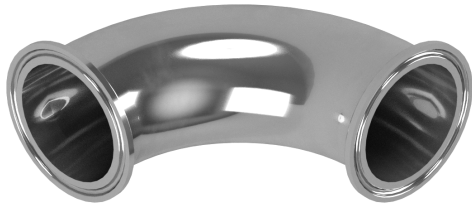


Fig. XC421.11

Codice	DN (inch)	L (mm)	A (mm)	R (mm)
XC421.11015.316	1/2"	25.4	41.3	19.1
XC421.11020.316	3/4"	25.4	41.3	28.6
XC421.11025.316	1"	50.4	50.8	38.1
XC421.11040.316	1" 1/2	50.4	69.9	57.2
XC421.11050.316	2"	64	88.9	76.2
XC421.11065.316	2" 1/2	77.4	108	95.2
XC421.11080.316	3"	90.9	127	114.2
XC421.11100.316	4"	118.8	168.3	152.4