

Maschio DIN a saldare "SOTTILE"

Normativa: DIN 11851 (DIN 1)

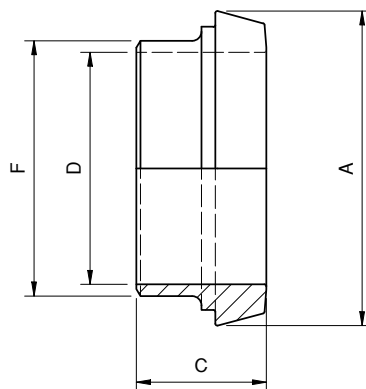


Fig. XD310.21

Codice	DN	Ø F (mm)	Ø D (mm)	Ø A (mm)	C (mm)
XD310.21010.***	10	12	9	22	17
XD310.21015.***	15	18	15	28	17
XD310.21020.***	20	22	19	36	18
XD310.21025.***	25	28	25	44	22
XD310.21032.***	32	34	31	50	25
XD310.21040.***	40	40	37	56	26
XD310.21050.***	50	52	49	68	28
XD310.21065.***	65	70	66	86	32
XD310.21080.***	80	85	81	100	37
XD310.21100.***	100	104	100	121	44
XD310.21101.***	100	101.6	97.6	121	44
XD310.21125.***	125	129	125	150	34
XD310.21150.***	150	154	150	176	37

Materiale	Sigla (***)
Inox AISI 304	304
Inox AISI 316	316

disponibile solo inox AISI 316