

Tronchetto medio CLAMP AISI 316

Normativa: CLAMP BS

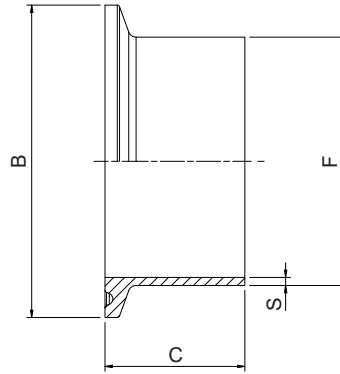


Fig. XC301.11

Codice	DN (inch)	B (mm)	F (mm)	C (mm)	S (mm)
XC301.11015.316	1/2"	25.0	12.7	28.6	1.65
XC301.11020.316	3/4"	25.0	19.05	28.6	1.65
XC301.11025.316	1"	50.4	25.4	28.6	1.65
XC301.11040.316	1" 1/2	50.4	38.1	28.6	1.65
XC301.11050.316	2"	64.0	50.8	28.6	1.65
XC301.11065.316	2" 1/2	77.3	63.5	28.6	1.65
XC301.11080.316	3"	90.9	76.2	28.6	1.65
XC301.11100.316	4"	118.9	101.6	28.6	2.11
XC301.11150.316	6"	166.8	152.4	38.1	2.77
XC301.11200.316	8"	217.4	203.2	38.1	2.77
XC301.11201.316	8"	217.4	204.0	28	2.0
XC301.11250.316	10"	268.0	254.0	28.0	2.0
XC301.11300.316	12"	319.0	304.8	28.0	2.0
XC301.11350.316	14"	338.0	323.8	28.0	3.95