

Tronchetto medio CLAMP AISI 316

Normativa: DIN 32676 - DIN 1

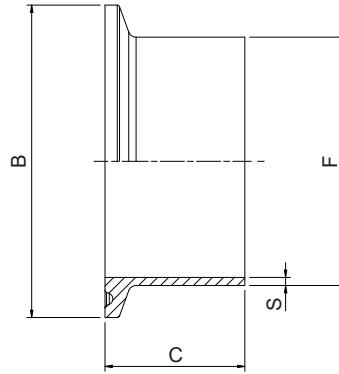


Fig. XC301.13

Codice	DN	B (mm)	F (mm)	C (mm)	S (mm)
XC301.13010.316	10	34	12	21.5	1.5
XC301.13015.316	15	34	18	21.5	1.5
XC301.13020.316	20	34	22	21.5	1.5
XC301.13025.316	25	50.4	28	21.5	1.5
XC301.13032.316	32	50.4	34	21.5	1.5
XC301.13040.316	40	50.4	40	21.5	1.5
XC301.13050.316	50	64	52	21.5	1.5
XC301.13065.316	65	90.9	70	28	2
XC301.13080.316	80	106	85	28	2
XC301.13100.316	100	118.8	104	28	2
XC301.13125.316	125	155	129	28	2
XC301.13150.316	150	183	154	28	2
XC301.13200.316	200	233.3	204	28	2