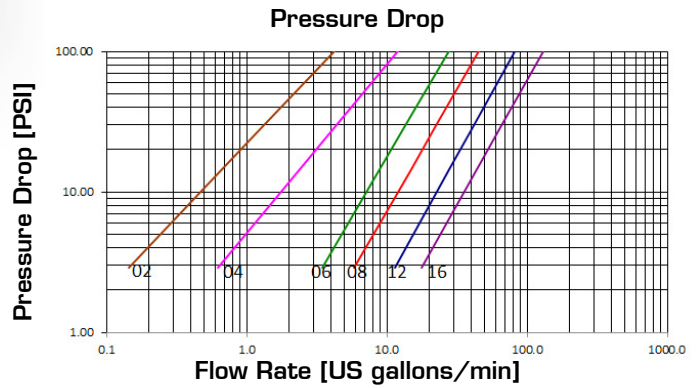
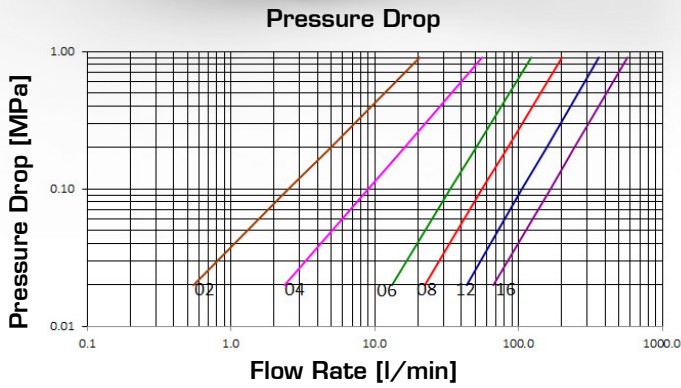




# ISO B POPPET VALVES



## TECHNICAL DATA

| SIZE |      | WORKING PRESSURE (Dynamic) |     | RATED FLOW at 0.2 MPa of pressure drop |        | CONNECTION EFFORT |     | OIL SPILLAGE Connection/Disconnection |            | MINIMUM BURST PRESSURE |     |        |     | CONNECTION/DISCONNECTION UNDER PRESSURE |     |       |             |
|------|------|----------------------------|-----|--|--------|-------------------|-----|---------------------------------------|------------|------------------------|-----|--------|-----|---|-----|-------|-------------|
| DN   | inch | MPa                        | PSI | l/min                                  | US GPM | N                 | lb. | cc.                                   | cubic inch | Male                   |     | Female |     | M & F                                   |     |       |             |
|      |      |                            |     |  |        |                   |     |                                       |            | MPa                    | PSI | MPa    | PSI | MPa                                     | PSI |       |             |
| 5    | 1/8  | 02                         | 50  | 7250                                   | 5      | 1.3               | 40  | 9.0                                   | 0.5        | 0.031                  | 210 | 30450  | 270 | 39150                                   | 220 | 31900 | Not allowed |
| 6.3  | 1/4  | 04                         | 40  | 5800                                   | 16     | 4.3               | 40  | 9.0                                   | 0.8        | 0.049                  | 180 | 26100  | 190 | 27550                                   | 165 | 23925 | Not allowed |
| 10   | 3/8  | 06                         | 35  | 5075                                   | 51     | 13.5              | 40  | 9.0                                   | 1.5        | 0.092                  | 145 | 21025  | 160 | 23200                                   | 160 | 23200 | Not allowed |
| 12.5 | 1/2  | 08                         | 35  | 5075                                   | 84     | 22.0              | 70  | 15.7                                  | 2.5        | 0.153                  | 145 | 21025  | 145 | 21025                                   | 160 | 23200 | Not allowed |
| 20   | 3/4  | 12                         | 25  | 3625                                   | 156    | 41.5              | 90  | 20.2                                  | 8.5        | 0.519                  | 100 | 14500  | 100 | 14500                                   | 125 | 18125 | Not allowed |
| 25   | 1    | 16                         | 25  | 3625                                   | 246    | 65.0              | 90  | 20.2                                  | 15.0       | 0.915                  | 100 | 14500  | 100 | 14500                                   | 120 | 17400 | Not allowed |

The rated flow represents the normal operating condition. The maximum recommended flow rate is equal to 1.5 times the rated flow

## PRODUCT DESCRIPTION

- Reference series for all industrial applications
- Simple connection and disconnection by pulling back the sleeve
- Positive, quick connection of the male into the female by latching the ball system
- Shut-off by poppet valve
- High resistant materials
- Interchangeable according to ISO 7241 series B

## MATERIAL

Female couplings in steel, with some hardened areas, in correspondence to the most stressed points. Male couplings in high grade carbon steel hardened. Springs in C98 steel, seals in NBR (other materials on request) and back-up ring in PTFE

## WORKING TEMPERATURE

-22°F up to +230°F (-30°C up to +110°C)  
For other temperatures, the coupling may be assembled with the specific seals

## SAFETY FACTOR

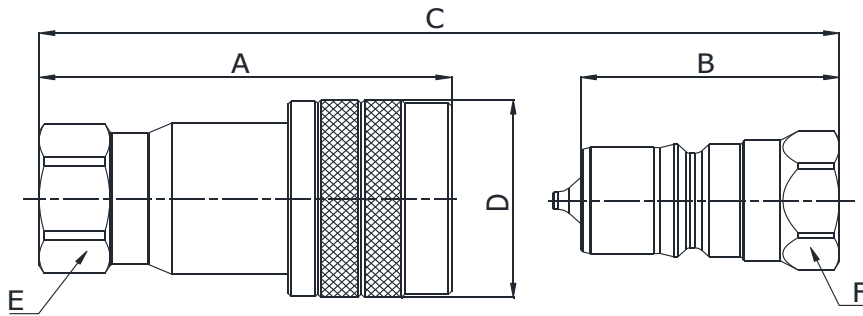
4:1 for dynamic pressures

## IMPULSE PRESSURES

100,000 cycles at 133% of the rated one (freq. 1Hz)

## TEST SPECIFICATIONS

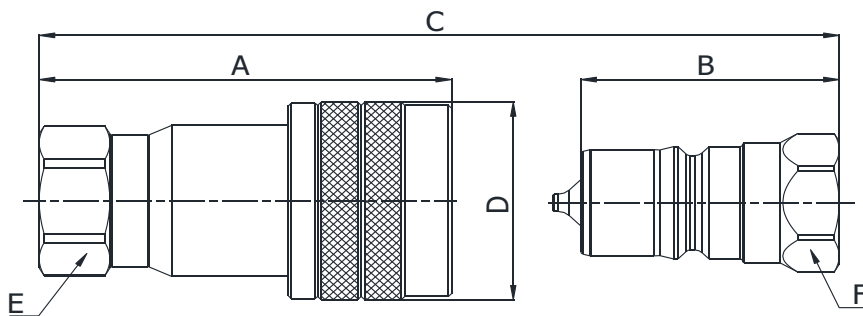
ISO 18869



**Q02411041A  
Q02111041A**

BSP TERMINATION ENDS  
TO DIN 3852 X TYPE

| SIZE |      |      | PART NUMBER      |                  | THREAD | DIMENSIONS mm |      |          |     |    |    |
|------|------|------|------------------|------------------|--------|---------------|------|----------|-----|----|----|
| DN   | Inch | Dash | Female coupling  | Male coupling    |        | A             | B    | C        | D   | E  | F  |
| 5    | 1/8" | -02  | Q02411041A-02-02 | Q02111041A-02-02 | 1/8"   | 48.5          | 30   | A+B-18,7 | ø22 | 15 | 14 |
| 6.3  | 1/4" | -04  | Q02411041A-04-04 | Q02111041A-04-04 | 1/4"   | 58.8          | 37.2 | A+B-21,2 | ø28 | 19 | 19 |
| 10   | 3/8" | -06  | Q02411041A-06-06 | Q02111041A-06-06 | 3/8"   | 66.2          | 41.5 | A+B-24,4 | ø35 | 24 | 22 |
| 12.5 | 1/2" | -08  | Q02411041A-08-08 | Q02111041A-08-08 | 1/2"   | 74            | 46.5 | A+B-27,2 | ø42 | 30 | 27 |
| 20   | 3/4" | -12  | Q02411041A-12-12 | Q02111041A-12-12 | 3/4"   | 91            | 56.5 | A+B-34,2 | ø52 | 36 | 36 |
| 25   | 1"   | -16  | Q02411041A-16-16 | Q02111041A-16-16 | 1"     | 104           | 64.5 | A+B-39,2 | ø60 | 41 | 41 |

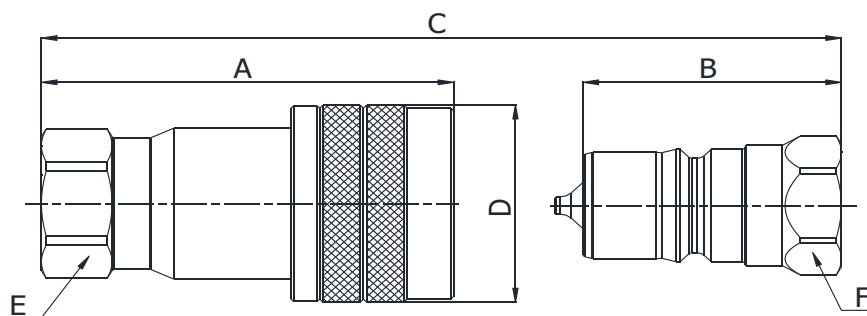


**Q02411341A  
Q02111341A**

NPTF TERMINATION END  
TO ANSI B 1.20.3

| SIZE |      |      | PART NUMBER      |                  | THREAD    | DIMENSIONS mm |      |          |     |    |    |
|------|------|------|------------------|------------------|-----------|---------------|------|----------|-----|----|----|
| DN   | Inch | Dash | Female coupling  | Male coupling    |           | A             | B    | C        | D   | E  | F  |
| 5    | 1/8" | -02  | Q02411341A-02-02 | Q02111341A-02-02 | 1/8" NPTF | 48.5          | 30   | A+B-18,7 | ø22 | 15 | 14 |
| 6.3  | 1/4" | -04  | Q02411341A-04-04 | Q02111341A-04-04 | 1/4" NPTF | 58.8          | 37.2 | A+B-21,2 | ø28 | 19 | 19 |
| 10   | 3/8" | -06  | Q02411341A-06-06 | Q02111341A-06-06 | 3/8" NPTF | 66.2          | 41.5 | A+B-24,4 | ø35 | 24 | 22 |
| 12.5 | 1/2" | -08  | Q02411341A-08-08 | Q02111341A-08-08 | 1/2" NPTF | 74            | 46.5 | A+B-27,2 | ø42 | 30 | 27 |
| 20   | 3/4" | -12  | Q02411341A-12-12 | Q02111341A-12-12 | 3/4" NPTF | 91            | 56.5 | A+B-34,2 | ø52 | 36 | 36 |
| 25   | 1"   | -16  | Q02411341A-16-16 | Q02111341A-16-16 | 1" NPTF   | 104           | 64.5 | A+B-39,2 | ø60 | 41 | 41 |

**359 Q.SAFE**



Q02411301A  
Q02111301A

SAE TERMINATION ENDS  
TO SAE J1926-1

| SIZE |      |      | PART NUMBER      |                  | THREAD       | DIMENSIONS mm |      |          |     |    |    |
|------|------|------|------------------|------------------|--------------|---------------|------|----------|-----|----|----|
| DN   | Inch | Dash | Female coupling  | Male coupling    |              | A             | B    | C        | D   | E  | F  |
| 6.3  | 1/4" | -04  | Q02411301A-04-06 | Q02111301A-04-06 | 9/16"-18UNF  | 62.2          | 40.6 | A+B-21,2 | ø28 | 19 | 19 |
| 10   | 3/8" | -06  | Q02411301A-06-08 | Q00211301A-06-08 | 3/4"-16 UNF  | 68.2          | 46   | A+B-24,4 | ø35 | 24 | 24 |
| 12.5 | 1/2" | -08  | Q02411301A-08-08 | Q02111301A-08-08 | 3/4"-16 UNF  | 74            | 46.5 | A+B-27,2 | ø42 | 30 | 27 |
| 20   | 3/4" | -12  | Q02411301A-12-12 | Q02111301A-12-12 | 1"1/16-12 UN | 94            | 59.5 | A+B-34,2 | ø52 | 36 | 34 |
| 25   | 1"   | -16  | Q02411301A-16-16 | Q02111301A-16-16 | 1"5/16-12 UN | 104           | 64.5 | A+B-39,2 | ø60 | 41 | 41 |