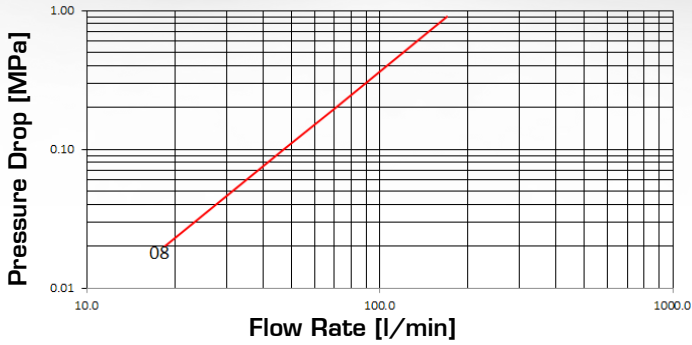


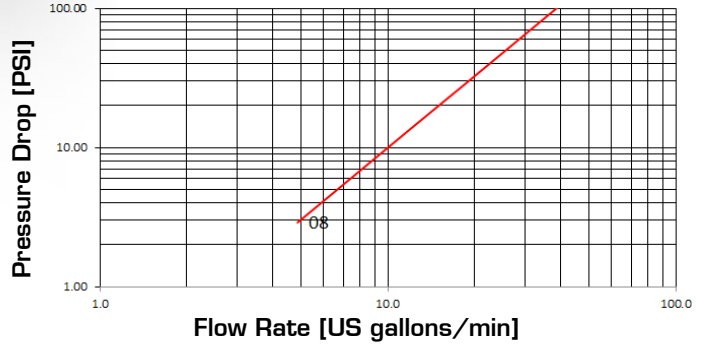
ISO A MALE CONNECTABLE UNDER PRESSURE



Pressure Drop



Pressure Drop



Q.SAFE 354

TECHNICAL DATA

| SIZE | | | WORKING PRESSURE (Dynamic) | | RATED FLOW at 0.2 MPa of pressure drop | | CONNECTION EFFORT | | OIL SPILLAGE Connection/Disconnection | | MINIMUM BURST PRESSURE | | | | | | CONNECTION/DISCONNECTION UNDER PRESSURE |
|------|------|------|----------------------------|------|----------------------------------------|--------|-------------------|-----|---------------------------------------|------------|------------------------|-----|--------|-------|-------|-------|-------------------------------------------|
| DN | inch | Dash | MPa | PSI | l/min | US GPM | N | lb. | cc. | cubic inch | Male | | Female | | M & F | | |
| | | | | | | | | | | | MPa | PSI | MPa | PSI | MPa | PSI | |
| 12.5 | ½ | 08 | 30 | 4350 | 71 | 18.8 | 80 | 178 | 2 | 0.122 | - | - | 125 | 18125 | 125 | 18125 | Connection only, with male under pressure |

The rated flow represents the normal operating condition. The maximum recommended flow rate is equal to 1.5 times the rated flow

PRODUCT DESCRIPTION

- Connectable with male ISO A under pressure
- High working pressure 30MPa
- Simple connection and disconnection by pulling back the sleeve
- No shut-off, Manuli mechanical valve block system
- Installations on hoses, pipe and direct to port
- Wide range of termination ends
- Interchangeability according to ISO 7241 series A

MATERIAL

Female couplings in steel, with some hardened areas, in correspondence to the most stressed points. Carbonitrided valve, and sleeve, springs in C98 steel, seals in NBR (other materials on request) and back-up ring in PTFE. PU seal on ½" female available on request.

WORKING TEMPERATURE

-22°F up to +230°F (-30°C up to +110°C)
For other temperatures, the coupling may be assembled with the specific seals

SAFETY FACTOR

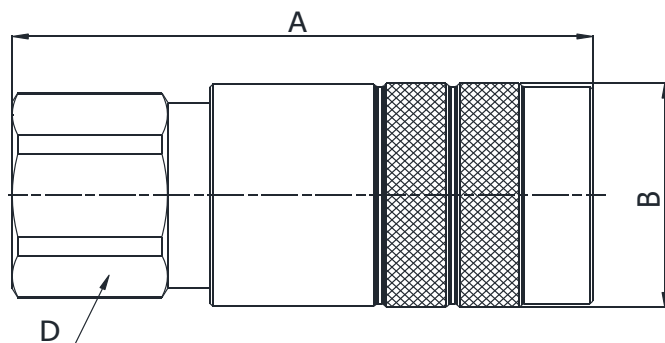
4:1 for dynamic pressures

IMPULSE PRESSURES

500,000 cycles (connected and disconnected conditions) at 120% of the rated one (freq. 1Hz)

TEST SPECIFICATIONS

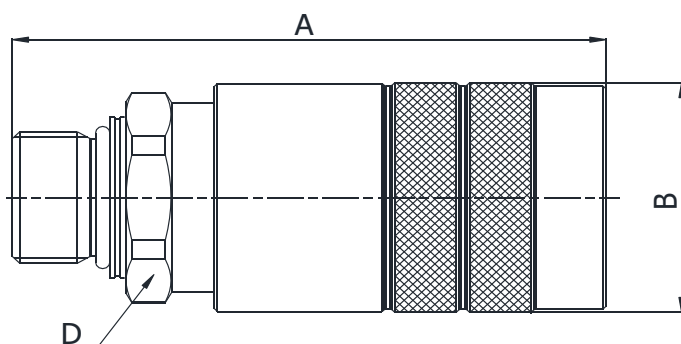
ISO 18869



Q01111041A

BSP TERMINATION ENDS
TO DIN 3852 X TYPE

| SIZE | | | PART NUMBER | THREAD | DIMENSIONS mm | | | | | |
|------|------|------|------------------|--------|---------------|-------|----|--|--|--|
| DN | Inch | Dash | Female coupling | | A | B | D | | | |
| 12.5 | 1/2" | -08 | Q01111041A-08-08 | 1/2" | 91.7 | ø38,3 | 32 | | | |



Q01111190A

METRIC TERMINATION ENDS
TO ISO 6149-1

| SIZE | | | PART NUMBER | THREAD | DIMENSIONS mm | | | | | |
|------|------|------|------------------|---------|---------------|-------|----|--|--|--|
| DN | Inch | Dash | Female coupling | | A | B | D | | | |
| 12.5 | 1/2" | -08 | Q01111190A-08-22 | M22x1,5 | 91.2 | ø38,3 | 32 | | | |