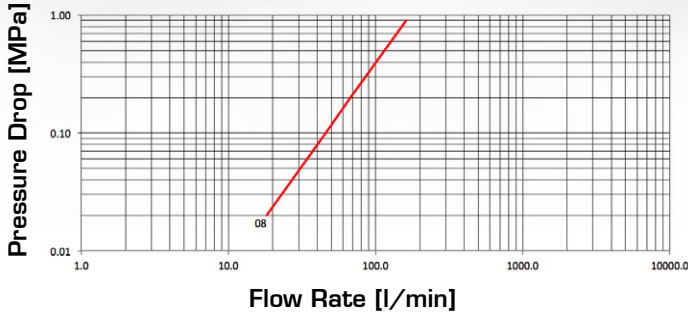


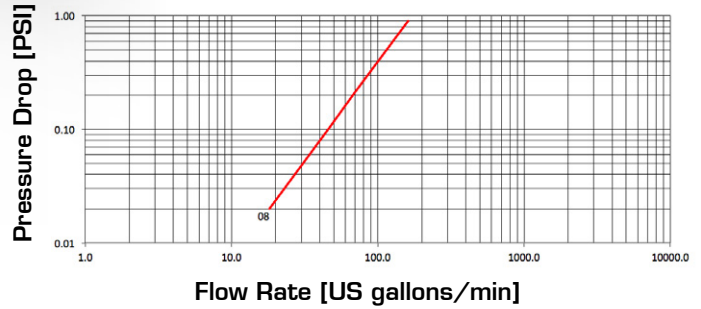


ISO A CONNECTABLE UNDER PRESSURE

Pressure Drop



Pressure Drop



Q.SAFE 352

TECHNICAL DATA

SIZE			WORKING PRESSURE [Dynamic]		RATED FLOW at 0.2 MPa of pressure drop		CONNECTION EFFORT		OIL SPILLAGE Connection/Disconnection		MINIMUM BURST PRESSURE			CONNECTION/DISCONNECTION UNDER PRESSURE			
DN	inch	Dash	MPa	PSI	l/min	US GPM	N	lb.	cc.	cubic inch	Male		Female		M & F		
			MPa	PSI	l/min	US GPM	N	lb.	cc.	cubic inch	MPa	PSI	MPa	PSI	MPa	PSI	
12.5	½	08	30	4350	68	18.0	80	178	2	0.122	120	17400	120	17400	160	23200	Only connection
										With 0 MPa pressure							

The rated flow represents the normal operating condition. The maximum recommended flow rate is equal to 1.5 times the rated flow

PRODUCT DESCRIPTION

- Connectable under pressure thanks to a frontal micro-valve
- Connection and disconnection is possible by pulling back the sleeve
- Positive, quick connection of the male into the female by the latching ball system
- Shut-off by poppet valve
- High resistant materials
- Connectability at the maximum working pressure
- Interchangeable according to ISO 7241 series A

MATERIAL

Female couplings in steel, with some hardened areas, in correspondence to the most stressed points. Male couplings in high grade carbon steel. Springs in C98 steel, seals in NBR and polyurethane (other materials on request) and back-up ring in PTFE. PU seal on ½" female available on request.

WORKING TEMPERATURE

-22°F up to +230°F (-30°C up to +110°C)
For other temperatures, the coupling may be assembled with the specific seals

SAFETY FACTOR

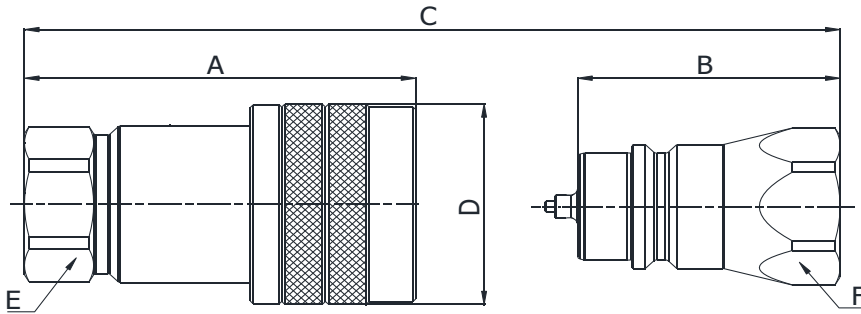
4:1 for dynamic pressures

IMPULSE PRESSURES

100,000 cycles at 133% of the rated one (freq. 1Hz)

TEST SPECIFICATIONS

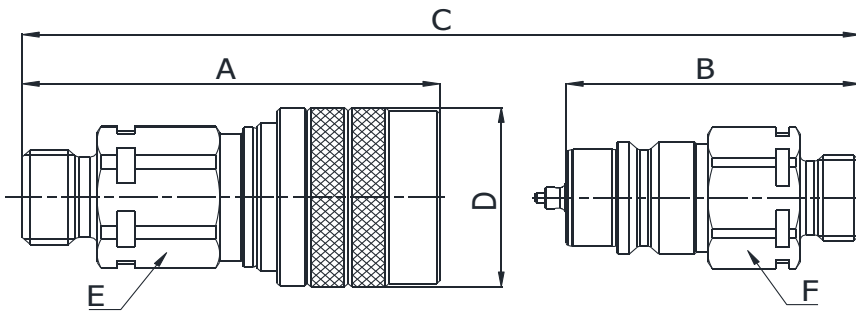
ISO 18869



Q01011041A
Q00611041A

BSP TERMINATION ENDS
TO DIN 3852 X TYPE

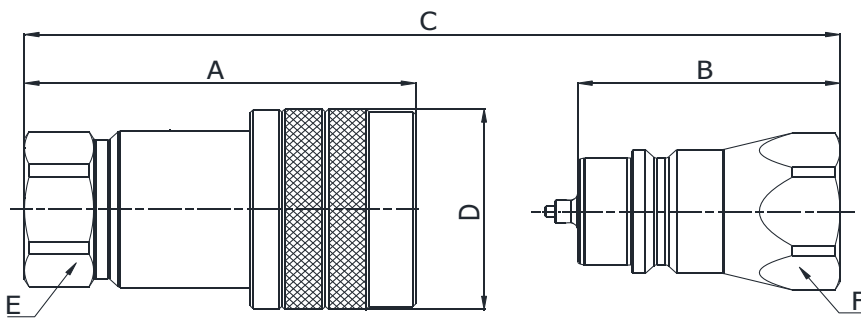
SIZE			PART NUMBER		THREAD	DIMENSIONS mm					
DN	Inch	Dash	Female coupling	Male coupling		A	B	C	D	E	F
12.5	1/2"	-08	Q01011041A-08-08	Q00611041A-08-08	1/2"	67	45	A+B-21,8	ø38	27	27



Q01011110A
Q00611110A

METRIC TERMINATION END
TO ISO 8434-1
L SERIES

SIZE			PART NUMBER		THREAD	DIMENSIONS mm					
DN	Inch	Dash	Female coupling	Male coupling		A	B	C	D	E	F
12.5	1/2"	-08	Q01011110A-08-18	Q00611110A-08-18	M18x1,5	65.2	54	A+B-21,8	ø38	27	27



Q01011341A
Q00611341A

NPTF TERMINATION END
TO ANSI B 1.20.3

SIZE			PART NUMBER		THREAD	DIMENSIONS mm					
DN	Inch	Dash	Female coupling	Male coupling		A	B	C	D	E	F
12.5	1/2"	-08	Q01011341A-08-08	Q00611341A-08-08	1/2" NPTF	67	45	A+B-21,8	ø38	27	27