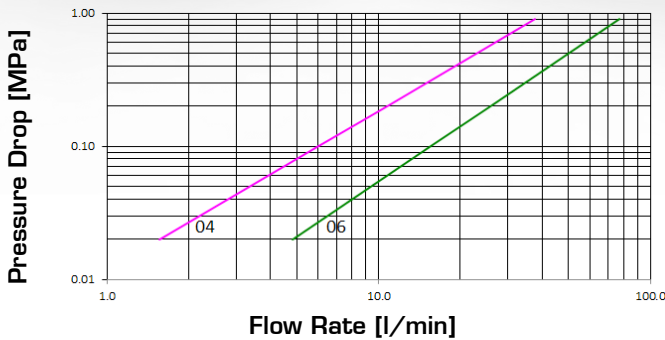


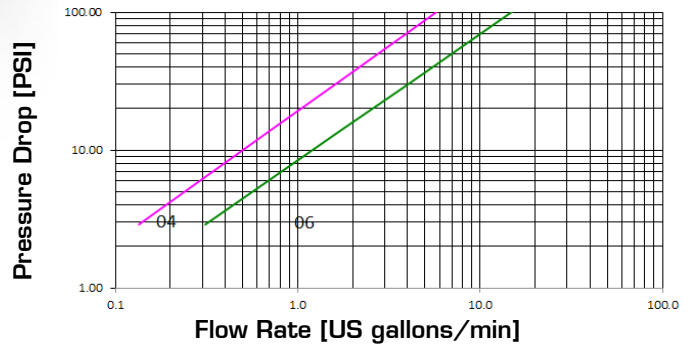


SCREW TYPE HYDRAULIC CYLINDERS (POPPET)

Pressure Drop



Pressure Drop



TECHNICAL DATA

SIZE			MPa		FLOW RATE		OIL SPILLAGE		MINIMUM BURST PRESSURE						CONNECTION / DISCONNECTION UNDER PRESSURE
DN	inch	Dash	MPa	PSI	l/min	US GPM	cc.	cubic inch	Male		Female		M & F		Allowed Max. 10 MPa*
								MPa	PSI	MPa	PSI	MPa	PSI		
6.3	1/4	04	72	10440	11	2.9	0.4	0.024	350	50750	310	44950	320	46400	Allowed Max. 10 MPa*
10	3/8	06	72	10440	26	7	0.6	0.037	290	42050	300	43500	290	42050	Allowed Max. 10 MPa*

The rated flow represents the normal operating condition. The maximum recommended flow rate is equal to 1.5 times the rated flow
*In one part

PRODUCT DESCRIPTION

- Screw-type couplings specially designed for very high pressure applications on cylinders and hydraulic rams
- Connection and disconnection is made by screwing the sleeve and can be made with residual pressure in the line
- Connection secured on the thread between the sleeve and the male coupling
- Shut-off by poppet valve provides effective hydraulic sealing
- Interchangeable with other products and widely used in the USA and Europe
- ISO 14540 compliant

MATERIAL

Female and male coupling in steel. Carbonitrided valve, springs in C98 steel, seals in NBR (other materials available on request) and back-up ring in PTFE

WORKING TEMPERATURE

-22°F up to +230°F (-30°C up to +110°C)
Specific seals available in case of higher temperatures

SAFETY FACTOR

4:1 for dynamic pressures

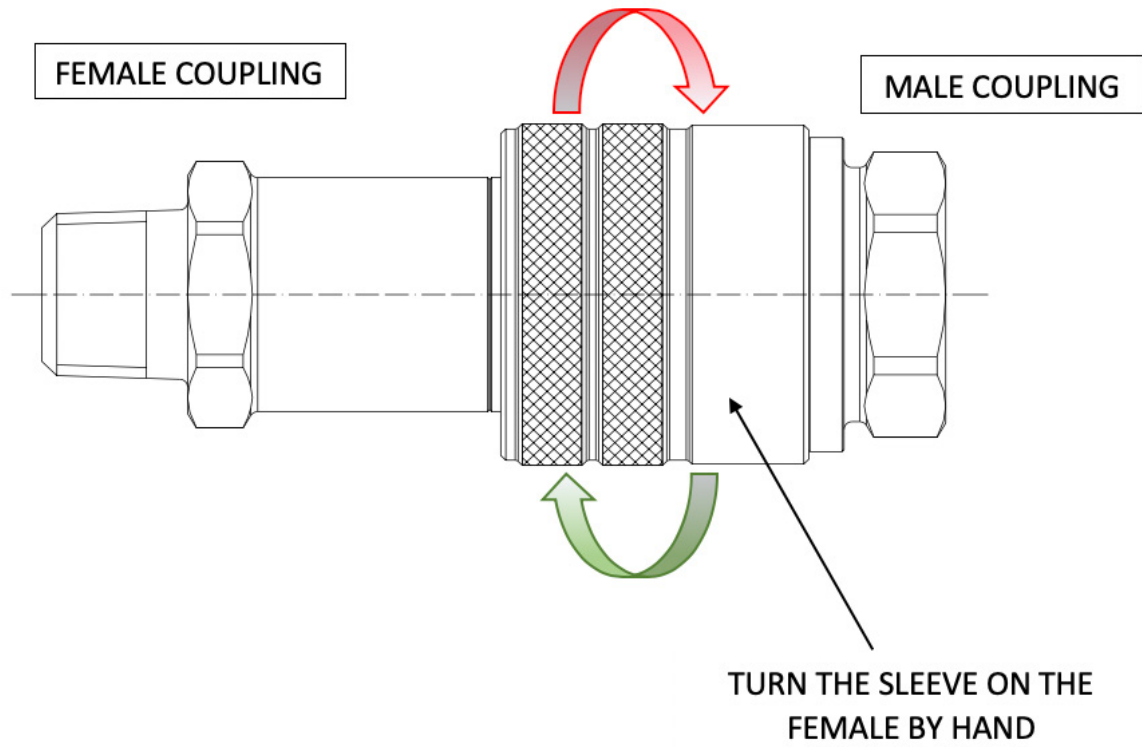
IMPULSE PRESSURES

10,000 cycles at 100% of the rated one (freq. 1Hz)

TEST SPECIFICATIONS

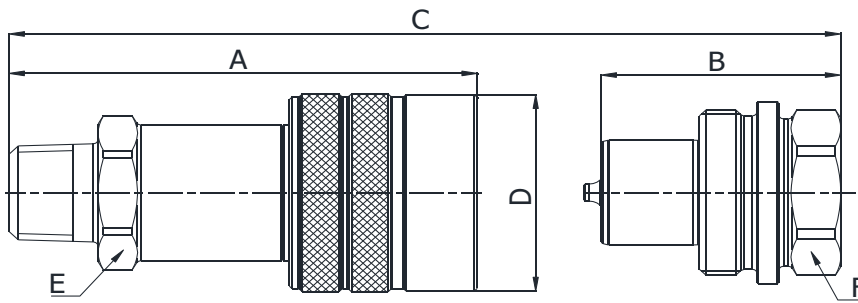
ISO 18869

ASSEMBLY INSTRUCTIONS



Q05611280B

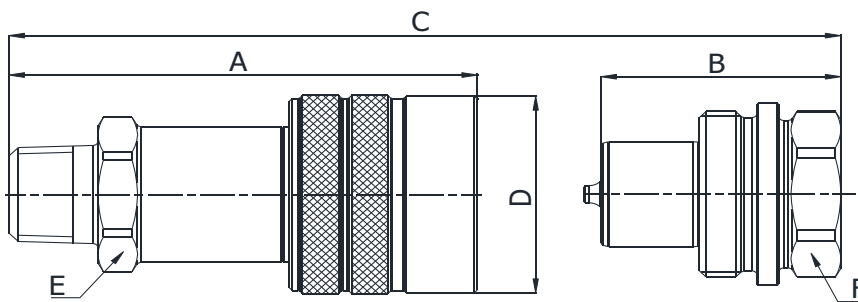
NPT TERMINATION ENDS
TO ANSI B1.20.3



SIZE			PART NUMBER		THREAD	DIMENSIONS mm					
DN	Inch	Dash	Female coupling	Male coupling		A	B	C	D	E	F
6.3	1/4"	-04	Q05611280B-04-04	-	1/4" NPTF	62.4	-	A+B-19	ø30	21	-
10	3/8"	-06	Q05611280B-06-04	-	1/4" NPTF	76	-	A+B-25	ø35,6	25	-
10	3/8"	-06	Q05611280B-06-06	-	3/8" NPTF	76	-	A+B-25	ø35,6	25	-

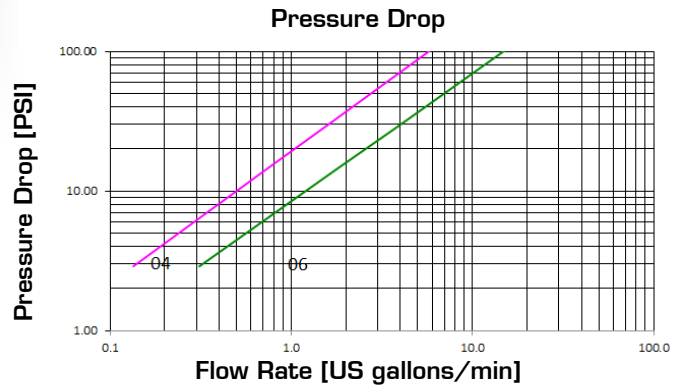
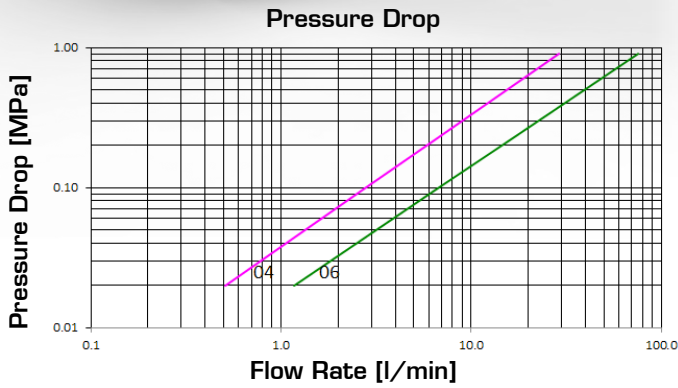
Q05511341B

NPT TERMINATION ENDS
TO ANSI B1.20.3



SIZE			PART NUMBER		THREAD	DIMENSIONS mm					
DN	Inch	Dash	Female coupling	Male coupling		A	B	C	D	E	F
6.3	1/4"	-04	-	Q05511341B-04-04	1/4" NPTF	-	34	A+B-19	-	-	22
10	3/8"	-06	-	Q05511341B-06-04	1/4" NPTF	-	39	A+B-25	-	-	27
10	3/8"	-06	-	Q05511341B-06-06	3/8" NPTF	-	39	A+B-25	-	-	27

SCREW TYPE HYDRAULIC CYLINDERS (BALL)



TECHNICAL DATA

SIZE			MPa		FLOW RATE		OIL SPILLAGE Connection/ Disconnection		MINIMUM BURST PRESSURE						CONNECTION/ DISCONNECTION UNDER PRESSURE
DN	inch	Dash	MPa	PSI	l/min	US GPM	cc.	cubic inch	Male		Female		M & F		
									MPa	PSI	MPa	PSI	MPa	PSI	
6.3	1/4	04	72	10440	11	2.9	0.4	0.024	350	50750	310	44950	320	46400	Allowed Max. 10 MPa*
10	3/8	06	72	10440	26	7	0.6	0.037	290	42050	300	43500	290	42050	Allowed Max. 10 MPa*

The rated flow represents the normal operating condition. The maximum recommended flow rate is equal to 1.5 times the rated flow
*In one part

PRODUCT DESCRIPTION

- Screw-type couplings specially designed for very high pressure applications on cylinders and hydraulic rams
- Connection and disconnection is made by screwing the sleeve and can be made with residual pressure in the line
- Connection secured on the thread between the sleeve and the male coupling
- Shut-off by ball valve provides effective hydraulic sealing
- Interchangeable with other products and widely used in the USA and Europe
- ISO 14540 compliant

MATERIAL

Female and male coupling in steel. Carbonitrided valve, springs in C98 steel, seals in NBR (other materials available on request) and back-up ring in PTFE

WORKING TEMPERATURE

-22°F up to +230°F (-30°C up to +110°C)
Specific seals available in case of higher temperatures

SAFETY FACTOR

4:1 for dynamic pressures

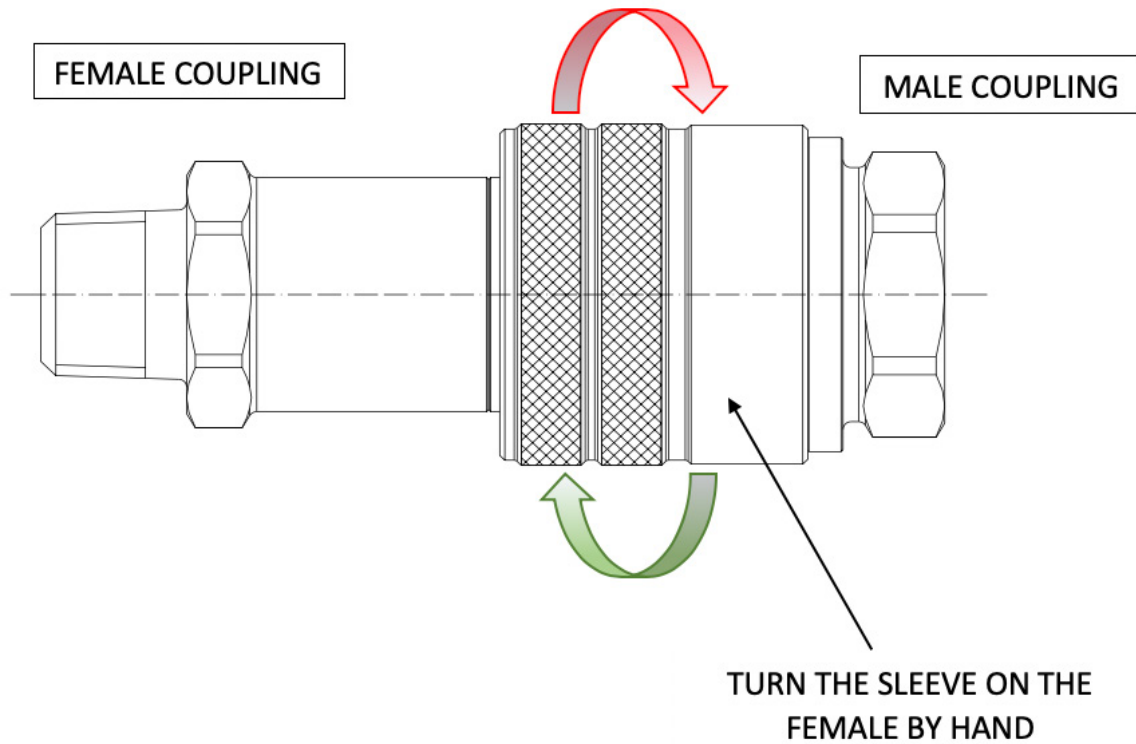
IMPULSE PRESSURES

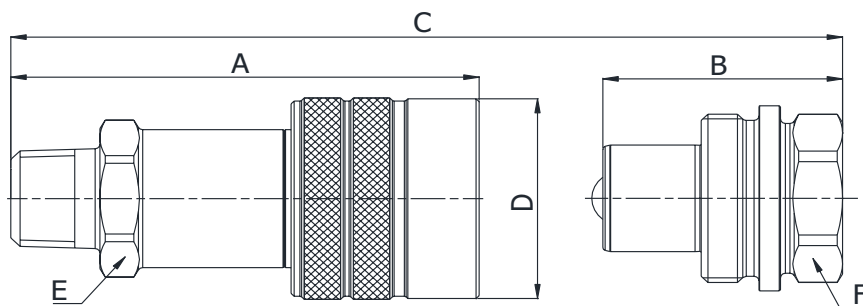
10,000 cycles at 100% of the rated one (freq. 1Hz)

TEST SPECIFICATIONS

ISO 7241-2

ASSEMBLY INSTRUCTIONS

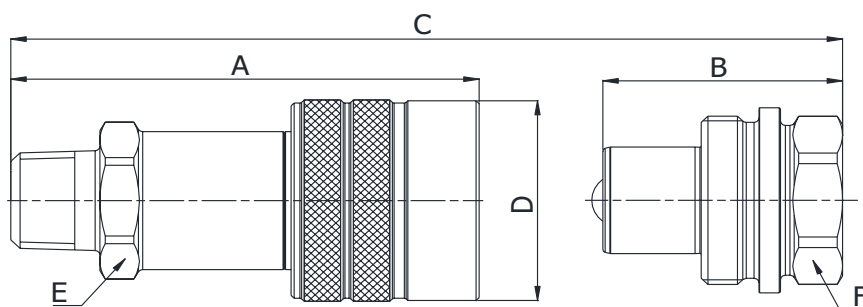




Q05611280C

NPT TERMINATION ENDS
TO ANSI B1.20.3

SIZE			PART NUMBER		THREAD	DIMENSIONS mm					
DN	Inch	Dash	Female coupling	Male coupling		A	B	C	D	E	F
6.3	1/4"	-04	Q05611280C-04-04		1/4" NPTF	62.4	-	A+B-19	ø30	21	-
10	3/8"	-06	Q05611280C-06-04	-	1/4" NPTF	75.6	-	A+B-25	ø35,6	25	-
10	3/8"	-06	Q05611280C-06-06	-	3/8" NPTF	75.6	-	A+B-25	ø35,6	25	-



Q05510341C

NPT TERMINATION ENDS
TO ANSI B1.20.3

SIZE			PART NUMBER		THREAD	DIMENSIONS mm					
DN	Inch	Dash	Female coupling	Male coupling		A	B	C	D	E	F
6.3	1/4"	-04	-	Q05510341C-04-04	1/4" NPTF	-	32	A+B-19	-	-	22
10	3/8"	-06	-	Q05510341C-06-04	1/4" NPTF	-	39	A+B-25	-	-	27
10	3/8"	-06	-	Q05510341C-06-06	3/8" NPTF	-	39	A+B-25	-	-	27