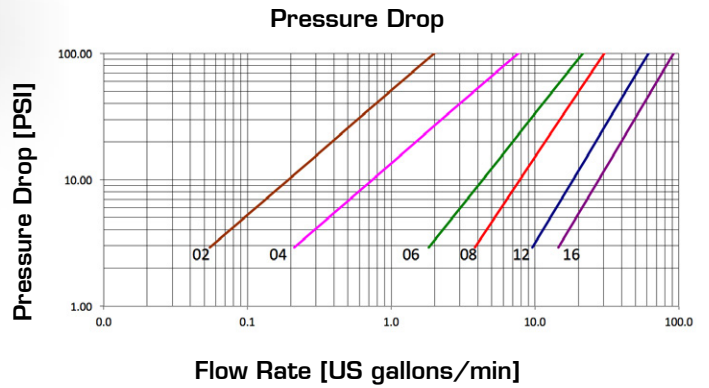
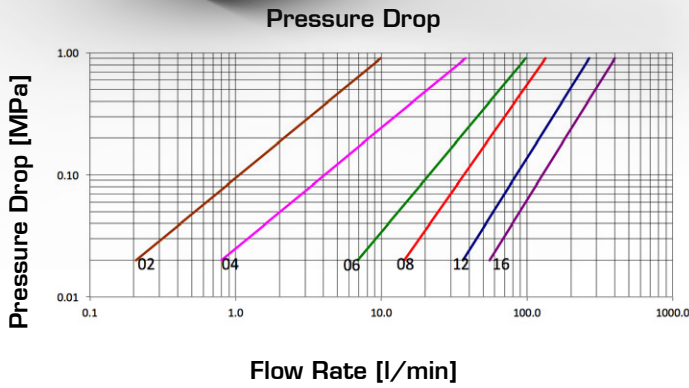




STAINLESS STEEL ISO B POPPET VALVE



Q.SAFE 456

TECHNICAL DATA

SIZE			MPa		FLOW RATE		N		OIL SPILLAGE Connection/Disconnection		MINIMUM BURST PRESSURE						CONNECTION/DISCONNECTION UNDER PRESSURE	
DN	inch	Dash	MPa	PSI	l/min	US GPM	N	lb.	cc.	cubic inch	Male		Female		M & F		Not allowed	
										MPa	PSI	MPa	PSI	MPa	PSI			
5	1/8	02	40	5800	2	0.6	28	6.3	0.5	0.031	210	30450	280	40600	160	23200	Not allowed	
6.3	1/4	04	35	5075	8	2.2	36	8.1	0.8	0.049	150	21750	220	31900	230	33350	Not allowed	
10	3/8	06	30	4350	34	9.1	38	8.5	1.5	0.092	130	18850	160	23200	180	26100	Not allowed	
12.5	1/2	08	30	4350	55	14.6	50	11.2	2.5	0.153	120	17400	130	18850	140	20300	Not allowed	
20	3/4	12	25	3625	122	32.1	56	12.6	8.5	0.519	110	15950	110	15950	130	18850	Not allowed	
25	1	16	25	3625	183	48.3	56	12.6	15.0	0.915	110	15950	110	15950	100	14500	Not allowed	

The rated flow represents the normal operating condition. The maximum recommended flow rate is equal to 1.5 times the rated flow

PRODUCT DESCRIPTION

- Reference series for all industrial applications
- Simple connection and disconnection by pulling back the sleeve
- Positive, quick connection of the male into the female by latching the ball system
- Shut-off by poppet valve
- High resistant materials
- Interchangeable according to ISO 7241 series B
- FKM (VITON) seal

MATERIAL

Female and male in AISI 316 steel. Couplings in high grade carbon steel hardened. Springs in C98 steel, seals in FKM (VITON) (other materials on request) and back-up ring in PTFE

WORKING TEMPERATURE

-25°C up to +200°C
For other temperatures, the quick coupling is assembled with specific seals

SAFETY FACTOR

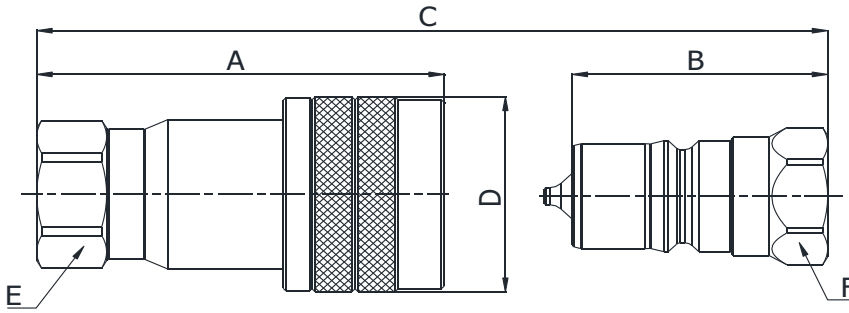
4:1 for dynamic pressures

IMPULSE PRESSURES

Withstands 100,000 cycles of impulse pressure at 133% of the rated one (freq. 1Hz)

TEST SPECIFICATIONS

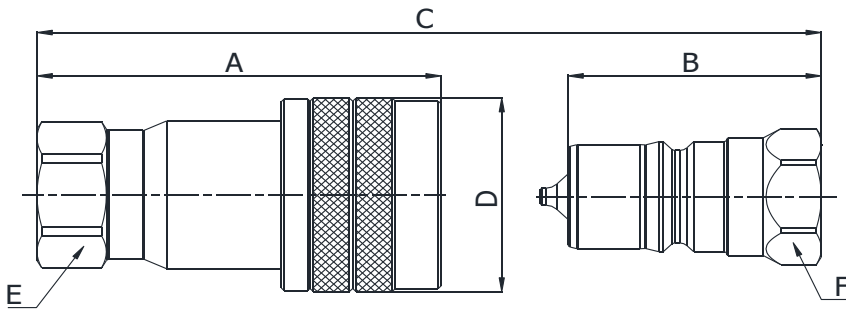
ISO 18869



Q02423041A
Q02123041A

BSP TERMINATION ENDS
TO DIN 3852 X TYPE
FKM SEAL

SIZE			PART NUMBER		THREAD	DIMENSIONS mm					
DN	Inch	Dash	Female coupling	Male coupling		A	B	C	D	E	F
5	1/8"	-02	Q02423041A-02-02	Q02123041A-02-02	1/8"	48.5	30	A+B-18,2	ø22	15	14
6.3	1/4"	-04	Q02423041A-04-04	Q02123041A-04-04	1/4"	58.8	37.2	A+B-21,2	ø28	19	19
10	3/8"	-06	Q02423041A-06-06	Q02123041A-06-06	3/8"	66.2	41.5	A+B-24,4	ø35	24	22
12.5	1/2"	-08	Q02423041A-08-08	Q02123041A-08-08	1/2"	74	46.5	A+B-27,2	ø42	30	27
20	3/4"	-12	Q02423041A-12-12	Q02123041A-12-12	3/4"	91	56.5	A+B-34,2	ø52	36	36
25	1"	-16	Q02423041A-16-16	Q02123041A-16-16	1"	104	64.5	A+B-39,2	ø60	41	41



Q02423341A
Q02123341A

NPTF TERMINATION END
TO ANSI B 1.20.3
FKM SEAL

SIZE			PART NUMBER		THREAD	DIMENSIONS mm					
DN	Inch	Dash	Female coupling	Male coupling		A	B	C	D	E	F
5	1/8"	-02	Q02423341A-02-02	Q02123341A-02-02	1/8" NPTF	48.5	30	A+B-18,2	ø22	15	14
6.3	1/4"	-04	Q02423341A-04-04	Q02123341A-04-04	1/4" NPTF	58.8	37.2	A+B-21,2	ø28	19	19
10	3/8"	-06	Q02423341A-06-06	Q02123341A-06-06	3/8" NPTF	66.2	41.5	A+B-24,4	ø35	24	22
12.5	1/2"	-08	Q02423341A-08-08	Q02123341A-08-08	1/2" NPTF	74	46.5	A+B-27,2	ø42	30	27
20	3/4"	-12	Q02423341A-12-12	Q02123341A-12-12	3/4" NPTF	91	56.5	A+B-34,2	ø52	36	36
25	1"	-16	Q02423341A-16-16	Q02123341A-16-16	1" NPTF	104	64.5	A+B-39,2	ø60	41	41