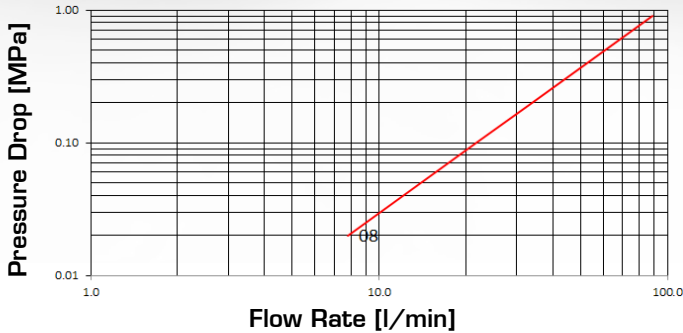


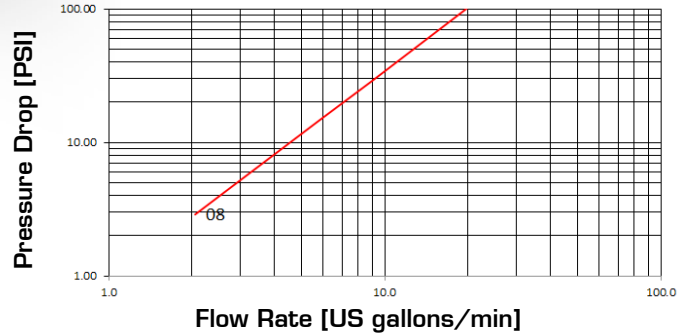
AGRICULTURAL VALVES



Pressure Drop



Pressure Drop



TECHNICAL DATA

SIZE			WORKING PRESSURE (Dynamic)		RATED FLOW at 0.2 MPa of pressure drop		OIL SPILLAGE Connection/ Disconnection		MINIMUM BURST PRESSURE						CONNECTION/ DISCONNECTION UNDER PRESSURE
DN	inch	Dash	MPa	PSI	l/min	US GPM	cc.	cubic inch	Male		Female		M & F		ALLOWED
									MPa	PSI	MPa	PSI	MPa	PSI	
12.5	½	08	20	2900	34	9.0	0.02	0.001	130	18850	80	11600	140	20300	ALLOWED

The rated flow represents the normal operating condition. The maximum recommended flow rate is equal to 1.5 times the rated flow

PRODUCT DESCRIPTION

- Trailer brake coupling specially designed to connect the hydraulic breaking system of tractors to trailers
- Connection and disconnection by screwing the sleeve
- Connection secured on the thread between the sleeve and the male coupling
- Flat-valve
- Connection and disconnection under pressure allowed
- The male has to be placed on the tractor and the female on the implement
- Interchangeable with similar products available on the market

MATERIAL

Female and male coupling in steel, with hardened stressed areas. Carbonitrided valve, springs in C98 steel, seals in NBR and back-up ring PTFE

WORKING TEMPERATURE

-22°F up to +230°F (-30°C up to +110°C)

SAFETY FACTOR

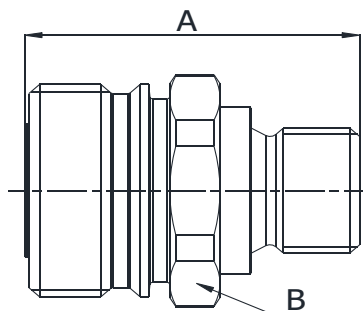
4:1 for dynamic pressures

TEST SPECIFICATIONS

ISO 18869



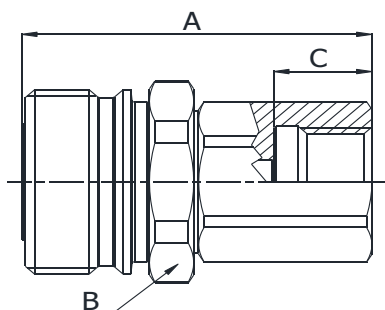
Safety cap for male coupling and female coupling with parking included



Q04911050A

BSP TERMINATION ENDS
TO ISO 8434-6

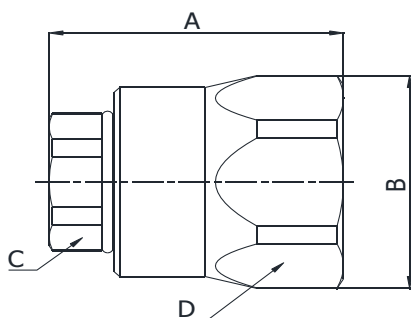
SIZE			PART NUMBER	THREAD	DIMENSIONS mm					
DN	Inch	Dash	Male coupling		A	B				
12.5	1/2"	-08	Q04911050A-08-08	1/2" GAS	48	36				



Q04911041A

BSP TERMINATION ENDS
TO DIN 3852 X TYPE

SIZE			PART NUMBER	THREAD	DIMENSIONS mm					
DN	Inch	Dash	Male coupling		A	B	C			
12.5	1/2"	-08	Q04911041A-08-08	1/2" BSP	57	36	16			

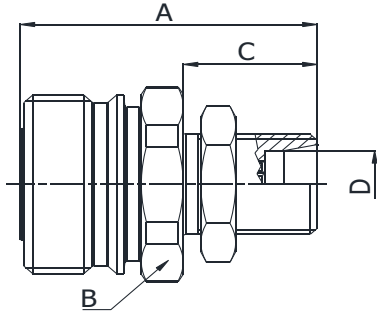


Q05011141A

METRIC TERMINATION ENDS
TO DIN 3852 X TYPE

SIZE			PART NUMBER	THREAD	DIMENSIONS mm					
DN	Inch	Dash	Female coupling		A	B	C	D		
12.5	1/2"	-08	Q05011141A-08-18	M18x1,5	53.5	ø45	27	41		

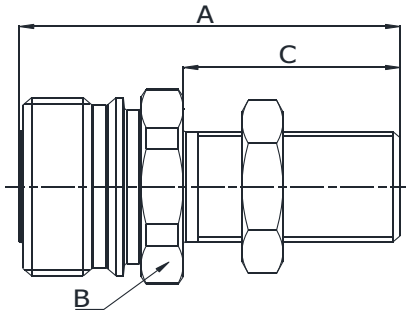
Q.SAFE
402



Q04911820A

METRIC TERMINATION ENDS
BULKHEAD

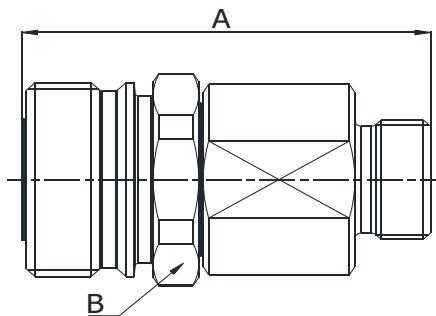
SIZE			PART NUMBER	THREAD	DIMENSIONS mm				
DN	Inch	Dash	Male coupling		A	B	C	D	
12.5	1/2"	-08	Q04911820A-08-20	M20x1,5	51	36	23	ø13,5	



Q04911370A

METRIC TERMINATION ENDS
TO DIN 3863
BULKHEAD

SIZE			PART NUMBER	THREAD	DIMENSIONS mm				
DN	Inch	Dash	Male coupling		A	B	C		
12.5	1/2"	-08	Q04911370A-08-22	M22x1,5	65	36	37		

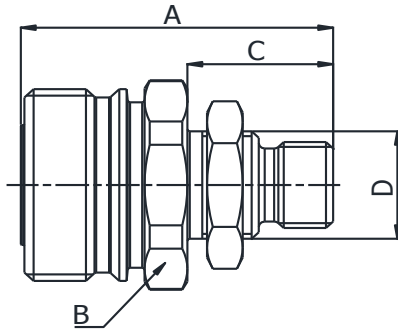


Q04911110A

METRIC TERMINATION ENDS
TO ISO 8434-1
L SERIES

SIZE			PART NUMBER	THREAD	DIMENSIONS mm				
DN	Inch	Dash	Male coupling		A	B			
12.5	1/2"	-08	Q04911110A-08-18	M18x1,5	65	36			
12.5	1/2"	-08	Q04911110A-08-22	M22x1,5	64.7	36			

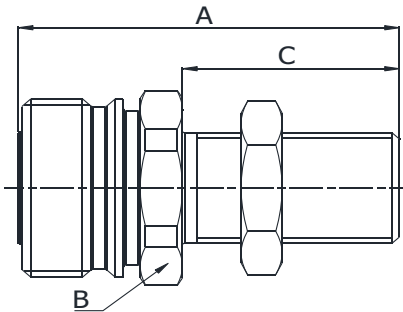
403 Q.SAFE



Q04911770A

METRIC TERMINATION END
TO ISO 8434-1
BULKHEAD

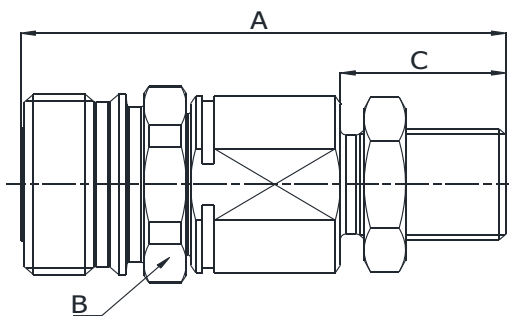
SIZE			PART NUMBER	THREAD	DIMENSIONS mm				
DN	Inch	Dash	Male coupling		A	B	C	D	
12.5	1/2"	-08	Q04911770A-08-16	M16x1,5	52.5	36	24.5	M20x1.5	
12.5	1/2"	-08	Q04911770A-08-18	M18x1,5	52	36	24	M20x1.5	



Q04911770A

METRIC TERMINATION END
TO ISO 8434-1
BULKHEAD L SERIES

SIZE			PART NUMBER	THREAD	DIMENSIONS mm				
DN	Inch	Dash	Male coupling		A	B	C		
12.5	1/2"	-08	Q04911770A-08-22	M22x1,5	63	36	35		

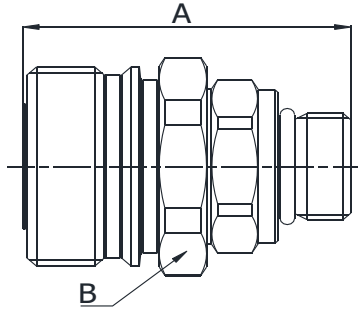


Q04911770B

METRIC TERMINATION END
TO ISO 8434-1
BULKHEAD L SERIES

SIZE			PART NUMBER	THREAD	DIMENSIONS mm				
DN	Inch	Dash	Male coupling		A	B	C		
12.5	1/2"	-08	Q04911770B-08-22	M22x1,5	82	36	28		

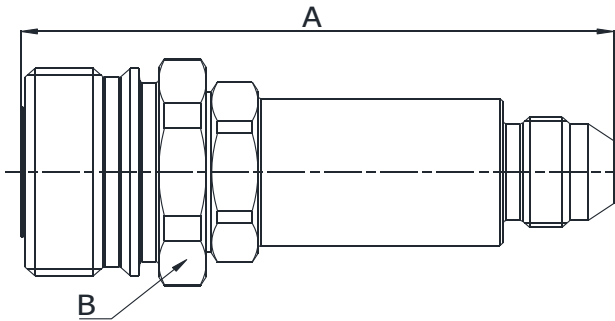
Q.SAFE 404



Q04911300A

SAE TERMINATION END
TO SAE J1926-3

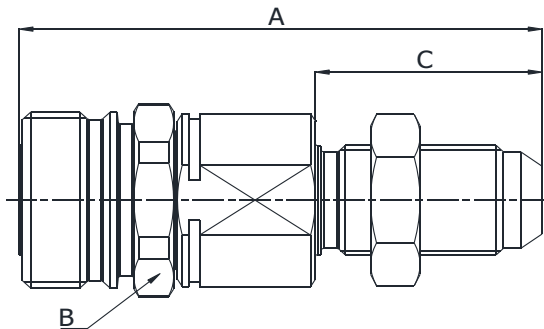
SIZE			PART NUMBER	THREAD	DIMENSIONS mm					
DN	Inch	Dash	Male coupling		A	B				
12.5	1/2"	-08	Q04911300A-08-08	3/4"-16 UNF	50	36				



Q04911250A

BSP TERMINATION ENDS
TO ISO 8434-6

SIZE			PART NUMBER	THREAD	DIMENSIONS mm					
DN	Inch	Dash	Male coupling		A	B				
12.5	1/2"	-8	Q04711050A-08-08	1/2"	48	32				



Q04911230A

SAE TERMINATION ENDS
TO ISO 8434-2
BULKHEAD

SIZE			PART NUMBER	THREAD	DIMENSIONS mm					
DN	Inch	Dash	Male coupling		A	B	C			
12.5	1/2"	-08	Q04911230A-08-10	7/8"-14 UNF	94.8	36	40.1			

405 Q.SAFE