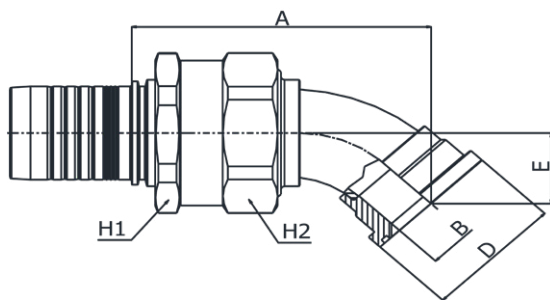


SAE STANDARD CONNECTIONS

MR23341FK

45° ISO / SAE CODE 61 FLANGE
SAE J516 / ISO 12151-3
(VITON)



PART. REF.	SIZE			FLANGE	W.P.	DIMENSIONS mm						
	DN	Dash	inch	inch	MPa	A	B	D	E	H1	H2	
MR23341-40-40FK	63	-40	2.1/2"	2.1/2"	14	174.5	52.0	84.3	48.5	100	100	

FITTINGS 326