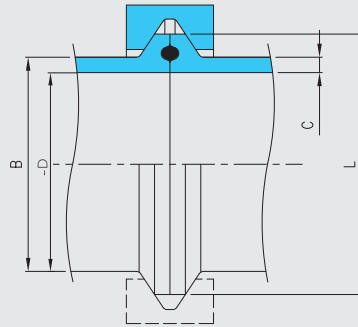


CLAMP



CLAMP BS 4825

DN	L	B	D	C
inch	mm	mm	mm	mm
1/2"	25.1	12.7	9,4	1.65
3/4"	25.1	19.05	15,75	1.65
1"	50.4	25.4	22,1	1.65
1" 1/2	50.4	38.1	34,8	1.65
2"	64.0	50.8	47,5	1.65
2" 1/2	77.4	63.5	60,2	1.65
3"	90.9	76.1	72,8	1.65
4"	118.8	101.6	97,38	2.11
5"	144.5	127.0	120,0	2.00
6"	167.0	152.4	146,86	2.77
8"	217.4	203.2	197,66	2.77
10"	268.5	254.0	246,88	3.56
12"	319.3	304.8	297,68	3.56

Misure aggiuntive presenti sul mercato

DN	L	B	D	C
inch	mm	mm	mm	mm
1/4"	25.0	6.35	4.57	0.89
3/8"	25.0	9.53	7.75	0.89
3/8"	34.0	9.53	7.75	0.89
1/2"	34.0	12.70	9.40	1.65
1/2"	50.5	12.70	9.40	1.65
3/4"	50.5	19.05	15.75	1.65
2 1/2"	77.5	63.5	60.2	1.65
4 1/2"	130.0	114.3	109.10	2.60
6"	167.0	152.4	146.86	2.77
8"	217.5	205.0	198.00	3.50
8"	217.4	203.2	197.66	2.77
10"	268.5	254.0	246.88	3.56
12"	319.3	304.8	297.68	3.56

CLAMP ISO 2852

DN	L	B	D	C
mm	mm	mm	mm	mm
10	34.0	17.2	14,0	1.6
15	34.0	21.3	18,1	1.6
20	50.4	26.9	23,7	1.6
25	50.4	33.7	30,5	1.6
32	50.4	42.4	39,2	1.6
40	64.0	48.3	45,1	1.6
50	77.4	60.3	56,3	2.0
65	90.9	76.2	72,2	2.0
80	106.0	88.9	84,9	2.0
100	130.0	114.3	110,3	2.0
125	155.0	139.7	133,7	3.0
150	183.0	168.3	162,3	3.0
200	233.5	219.1	213,1	3.0
250	319.3	273.0	267,0	3.0
300	338.5	323.9	315,9	4.0

Misure aggiuntive presenti sul mercato

DN	L	B	D	C
mm	mm	mm	mm	mm
6	50.5	10.2	7.0	1.60
8	25.0	13.5	10.3	1.60
8	34.0	13.5	10.3	1.60
8	50.5	13.5	10.3	1.60
10	25.0	17.2	14.0	1.60
10	50.5	17.2	14.0	1.60
15	50.5	21.3	18.1	1.60
20	34.0	26.9	23.7	1.60
20	64.0	26.9	23.7	1.60
32	64.0	42.4	38.4	2.00
250	286.0	273.1	266.3	3.40

Per tubi ISO 1127

CLAMP DIN 32676

DN	L	B	D	C
mm	mm	mm	mm	mm
10	34.0	12	9	1.5
15	34.0	18	15	1.5
20	34.0	22	19	1.5
25	50.4	28	25	1.5
32	50.4	34	31	1.5
40	50.4	40	37	1.5
50	64.0	52	49	1.5
65	90.9	70	66	2.0
80	106.0	85	81	2.0
100	118.8	104	100	2.0
125	155.0	129	125	2.0
150	183.0	154	150	2.0
200	233.5	204	200	2.0
250	268.5	254	248	3.0
300	319.3	305	299	3.0

Per tubi DIN 11850/1

CLAMP DIN 2 32676

DN	L	B	D	C
mm	mm	mm	mm	mm
10	34.0	13	10	1.5
15	34.0	19	16	1.5
20	34.0	23	20	1.5
25	50.4	29	26	1.5
32	50.4	35	32	1.5
40	50.4	41	38	1.5
50	64.0	53	50	1.5
65	90.9	70	66	2.0
80	106.0	85	81	2.0
100	118.8	104	100	2.0
125	155.0	129	125	2.0
150	183.0	154	150	2.0
200	233.5	204	200	2.0
250	268.5	254	248	3.0
300	319.3	305	299	3.0

Misure aggiuntive presenti sul mercato

DN	L	B	D	C
mm	mm	mm	mm	mm
4	25.0	6.0	4.0	1.00
4	34.0	6.0	4.0	1.00
6	25.0	8.0	6.0	1.00
6	34.0	8.0	6.0	1.00
8	25.0	10.0	8.0	1.00
8	34.0	10.0	8.0	1.00
10	25.0	12.0	10.0	1.00

Per tubi DIN 11850/2